

INSTRUCTION MANUAL
MANUEL D'INSTRUCTION
MANUAL DE INSTRUCCIONES

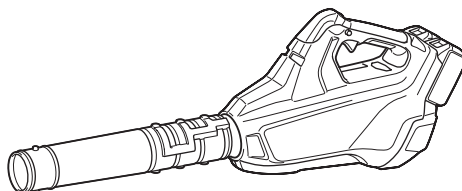


Cordless Blower

SOUFFLEUR SANS FIL

Sopladora Inalámbrica

DUB362



IMPORTANT: Read Before Using.

IMPORTANT : Lire avant usage.

IMPORTANTE: Lea antes de usar.

SPECIFICATIONS

Model		DUB362	
Capacities	Air volume (max.)	13.4 m ³ /min (473 cu.ft./min)	
	Air speed	54 m/s (120 MPH)	
Overall length	(without long nozzle)	585 mm (23")	
	(with long nozzle)	830, 880, 930 mm (32-3/4", 34-3/4", 36-5/8")	
Rated voltage		D.C. 36 V	
Standard battery cartridge(s) ⚠Warning: Use only the battery(ies) described.		BL1815N/ BL1820/ BL1820B	BL1830/ BL1830B/ BL1840/ BL1840B/ BL1850/ BL1850B/ BL1860B
Net weight		3.5 kg (7.7 lbs)	4.1 kg (9.0 lbs)

- Due to our continuing program of research and development, the specifications herein are subject to change without notice.
- Specifications and battery cartridge may differ from country to country.
- Weight, with battery cartridge, according to EPTA-Procedure 01/2003

IMPORTANT SAFETY INSTRUCTIONS

When using an electrical appliance, basic precautions should always be followed, including the following:

READ ALL INSTRUCTIONS. BEFORE USING THIS APPLIANCE

WARNING - To reduce the risk of fire, electric shock, or injury:

1. Do not leave appliance when battery fitted. Remove battery from appliance when not in use and before servicing.
2. Do not expose to rain. Store indoors.
3. Do not allow to be used as a toy. Close attention is necessary when used by or near children.
4. Use only as described in this manual. Use only manufacturer's recommended attachments.
5. Do not use with damaged battery. If appliance is not working as it should, has been dropped, damaged, left outdoors, or dropped into water, return it to a service center.
6. Do not put any object into openings. Do not use with any opening blocked; keep free of dust, lint, hair, and anything that may reduce air flow.
7. Keep hair, loose clothing, fingers, and all parts of body away from openings and moving parts.
8. Use extra care when cleaning on stairs.
9. Use only the charger supplied by the manufacturer to recharge.

SAVE THESE INSTRUCTIONS.

This appliance is intended for commercial use.

BLOWER SAFETY WARNINGS

1. Always use protective goggles, a cap and mask when using the blower. Ordinary eye or sun glasses are NOT safety glasses.
2. While operating the machine, always wear substantial and non-skid footwear and long trousers.
3. Do not wear loose clothing or jewellery that can be drawn into the air inlet. Keep long hair away from the air inlets.
4. Never point the nozzle at anyone in the vicinity when using the blower.
5. Never block suction inlet and/or blower outlet.
 - Do not block suction inlet or blower outlet to clean up in dusty areas.
 - Do not use the blower with a tapered nozzle smaller than the original one, such as a new nozzle obtained by attaching an extra diameter-reduced hose or smaller hose to the nozzle top end.
 - Do not Use the blower to inflate balls, rubber boat or the similar.

Increased motor revolution may cause dangerous fan breakage and result in serious personal injury. Heated motor and control circuit may cause a fire.
6. AVOID UNINTENTIONAL STARTING. Do not carry battery fitted tool with finger on switch.
7. Some material contains chemicals which may be toxic. Take caution to prevent dust inhalation and skin contact. Follow material supplier safety data.
8. Make sure that there are nobody around you when you work at high places.
9. Recharge only with the charger specified by the manufacturer. A charger that is suitable for one type of battery pack may create a risk of fire when used with another battery pack.
10. Use power tools only with specifically designated battery packs. Use of any other battery packs may create a risk of injury and fire.


11. When battery pack is not in use, keep it away from other metal objects, like paper clips, coins, keys, nails, screws or other small metal objects, that can make a connection from one terminal to another. Shorting the battery terminals together may cause burns or a fire.
12. Under abusive conditions, liquid may be ejected from the battery; avoid contact. If contact accidentally occurs, flush with water. If liquid contacts eyes, additionally seek medical help. Liquid ejected from the battery may cause irritation or burns.
13. Do not handle charger, including charger plug, and charger terminals with wet hands.
14. Do not charge the battery outdoors.
6. **Do not store the tool and battery cartridge in locations where the temperature may reach or exceed 50°C (122°F).**
7. **Do not incinerate the battery cartridge even if it is severely damaged or is completely worn out. The battery cartridge can explode in a fire.**
8. **Be careful not to drop or strike battery.**
9. **Do not use a damaged battery.**
10. **Follow your local regulations relating to disposal of battery.**

SAVE THESE INSTRUCTIONS.

⚠WARNING: DO NOT let comfort or familiarity with product (gained from repeated use) replace strict adherence to safety rules for the subject product. MISUSE or failure to follow the safety rules stated in this instruction manual may cause serious personal injury.

Symbols

The followings show the symbols used for tool.

V	volts
	direct current

IMPORTANT SAFETY INSTRUCTIONS

FOR BATTERY CARTRIDGE

1. Before using battery cartridge, read all instructions and cautionary markings on (1) battery charger, (2) battery, and (3) product using battery.
2. **Do not disassemble battery cartridge.**
3. **If operating time has become excessively shorter, stop operating immediately. It may result in a risk of overheating, possible burns and even an explosion.**
4. **If electrolyte gets into your eyes, rinse them out with clear water and seek medical attention right away. It may result in loss of your eyesight.**
5. **Do not short the battery cartridge:**
 - (1) **Do not touch the terminals with any conductive material.**
 - (2) **Avoid storing battery cartridge in a container with other metal objects such as nails, coins, etc.**
 - (3) **Do not expose battery cartridge to water or rain.**

A battery short can cause a large current flow, overheating, possible burns and even a breakdown.

SAVE THESE INSTRUCTIONS.

⚠CAUTION: Only use genuine Makita batteries. Use of non-genuine Makita batteries, or batteries that have been altered, may result in the battery bursting causing fires, personal injury and damage. It will also void the Makita warranty for the Makita tool and charger.

Tips for maintaining maximum battery life

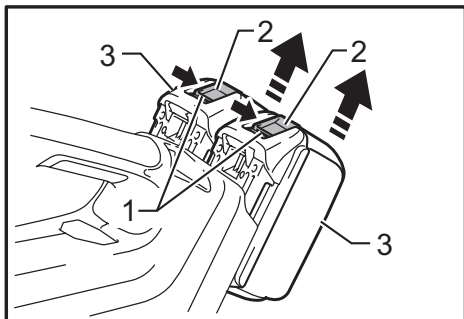
1. **Charge the battery cartridge before completely discharged.**
Always stop tool operation and charge the battery cartridge when you notice less tool power.
2. **Never recharge a fully charged battery cartridge.**
Overcharging shortens the battery service life.
3. **Charge the battery cartridge with room temperature at 10°C - 40°C (50°F - 104°F). Let a hot battery cartridge cool down before charging it.**
4. **Charge the battery cartridge if you do not use it for a long period (more than six months).**

FUNCTIONAL DESCRIPTION

⚠ CAUTION:

- Always be sure that the tool is switched off and the battery cartridge is removed before adjusting or checking function on the tool.

Installing or removing battery cartridge



► 1. Red indicator 2. Button 3. Battery cartridge

⚠ CAUTION:

- Always switch off the tool before installing or removing of the battery cartridge.
- **Hold the tool and the battery cartridge firmly when installing or removing battery cartridge.** Failure to hold the tool and the battery cartridge firmly may cause them to slip off your hands and result in damage to the tool and battery cartridge and a personal injury.

To remove the battery cartridge, slide it from the tool while sliding the button on the front of the cartridge. To install the battery cartridge, align the tongue on the battery cartridge with the groove in the housing and slip it into place. Insert it all the way until it locks in place with a little click. If you can see the red indicator on the upper side of the button, it is not locked completely.

⚠ CAUTION:

- Always install the battery cartridge fully until the red indicator cannot be seen. If not, it may accidentally fall out of the tool, causing injury to you or someone around you.
- Do not install the battery cartridge forcibly. If the cartridge does not slide in easily, it is not being inserted correctly.

NOTE:

- The tool does not work with only one battery cartridge.

Tool / battery protection system

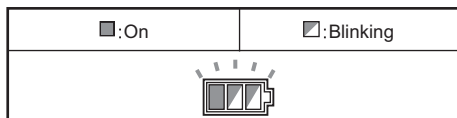
The tool is equipped with a tool/battery protection system. This system automatically cuts off power to the motor to extend tool and battery life.

The tool will automatically stop during operation if the tool or battery is placed under one of the following conditions. In some conditions, the indicators light up.

Overload protection

When the tool is operated in a manner that causes it to draw an abnormally high current, the tool automatically stops without any indication. In this situation, turn the tool off and stop the application that caused the tool to become overloaded. Then turn the tool on to restart.

Overheat protection for tool



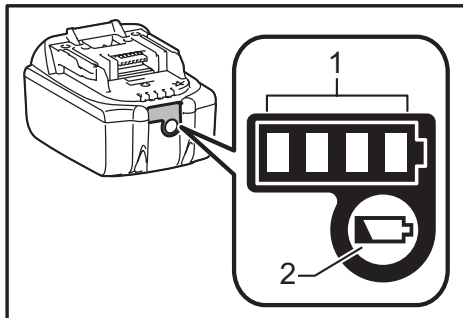
When the tool is overheated, the tool stops automatically, the battery indicator blink about 60 seconds. In this situation, let the tool cool down before turning the tool on again.

Overdischarge protection

When the battery capacity becomes low, the tool stops automatically. If the product does not operate even when the switches are operated, remove the batteries from the tool and charge the batteries.

Indicating the remaining battery capacity

(Only for battery cartridges with "B" at the end of the model number.)



► 1. Indicator lamps 2. CHECK button

Press the check button on the battery cartridge to indicate the remaining battery capacity. The indicator lamps light up for few seconds.

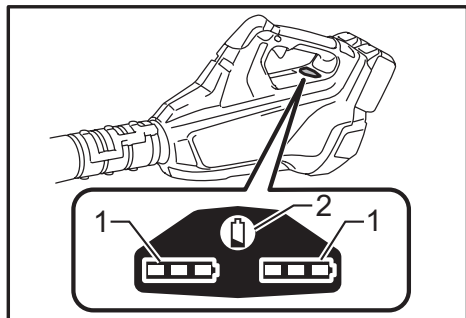
Indicator lamps			Remaining capacity
Lighted	Off	Blinking	
■	□	◐	75% to 100%
■	■	■	
■	■	□	
■	■	□	
■	□	□	50% to 75%
■	□	□	25% to 50%
■	□	□	0% to 25%
◐	□	□	Charge the battery.
■	■	□	The battery may have malfunctioned.
□	□	■	

NOTE:

- Depending on the conditions of use and the ambient temperature, the indication may differ slightly from the actual capacity.

Remaining battery capacity indication

(Country specific)



► 1. Battery indicator 2. CHECK button

Press the check button to make the battery indicators show the remaining battery capacities. The battery indicators correspond to each battery.

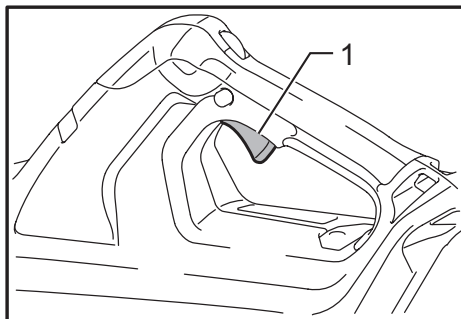
Remaining battery capacity indication

Battery indicator status	Remaining battery capacity
■: On □: Off ◐: Blinking	
	50% - 100%
	20% - 50%
	0% - 20%
	Charge the battery

Switch action

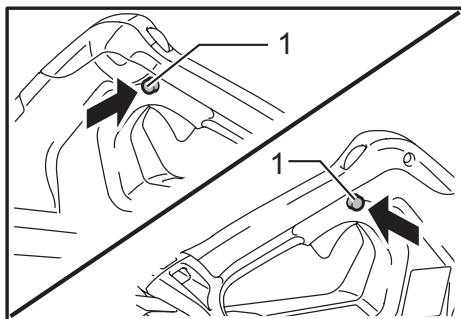
CAUTION:

- Before inserting the battery cartridge into the tool, always check to see that the switch trigger actuates properly and returns to the "OFF" position when released.



► 1. Switch trigger

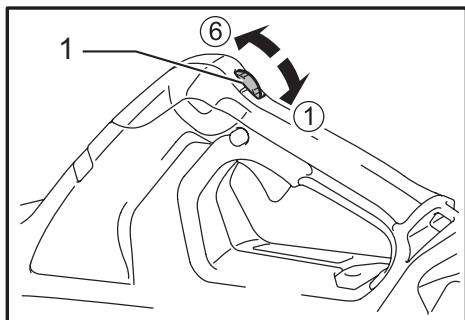
To start the tool, simply pull the switch trigger. Tool speed is increased by increasing pressure on the switch trigger. Release the switch trigger to stop.



► 1. Lock button

For continuous operation, pull the switch trigger, push in the lock button and then release the switch trigger. To stop the tool from the locked position, pull the switch trigger fully, then release it.

Speed change



► 1. Adjusting dial

The maximum air volume can be adjusted just by turning the adjusting dial. This can be done even while the tool is running. The dial is marked 1 (lowest) to 6 (highest).

NOTICE:

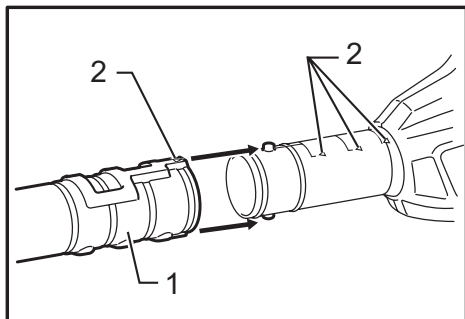
The speed adjusting dial can be turned only as far as 6 and back to 1. Do not force it past 6 or 1, or the speed adjusting function may no longer work. When working in a high temperature circumstance, the tool may be stopped because of the overheat protection system. In that case let the tool cool down. Avoid setting to speed 6 (highest) in high temperature circumstances.

ASSEMBLY

CAUTION:

- Always be sure that the tool is switched off and the battery cartridge is removed before carrying out any work on the tool.

Installing the long nozzle

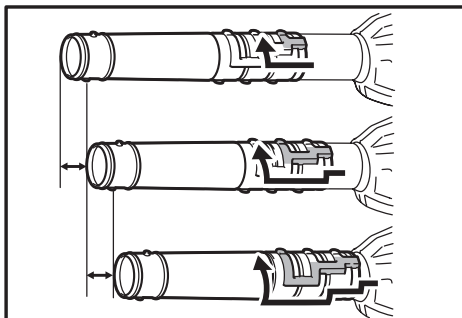


► 1. Long nozzle 2. Triangle marking

To install the long nozzle:

1. Align the small projection of the housing with the groove of the long nozzle.

2. Slide in the long nozzle, and turn it clockwise until the triangle markings on the long nozzle and the housing meet each other.

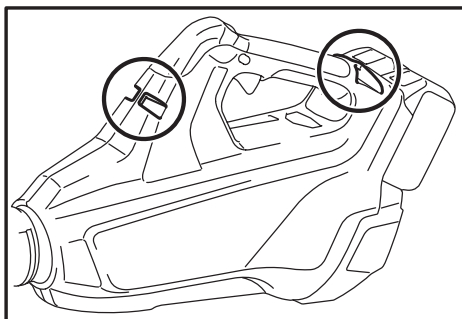


The length of the nozzle can be adjusted by changing the locking position.

Installing the extension nozzle/ flat nozzle (optional accessory)

The extension nozzle / flat nozzle can be installed on the tip of the long nozzle in the same way as above.

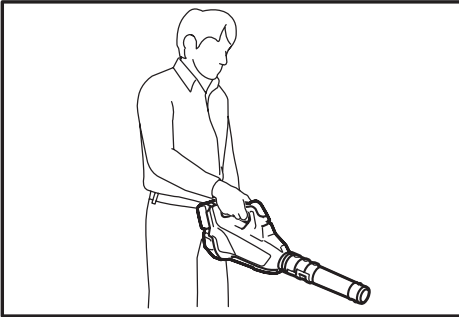
Installing the shoulder strap (optional accessory)



Hook the shoulder strap onto the hanger of the tool. Before use, adjust the length of strap so that it is easy to work with it.

OPERATION

Blowing



⚠ CAUTION:

- Do not place the blower on the ground while it is switched on. Sand or dust may enter from suction inlet, and they may result in personal injury.

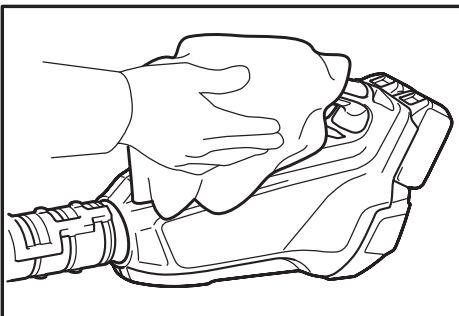
Hold the blower firmly with a hand and perform the blowing operation by moving it around slowly. When blowing around a building, a big stone or a vehicle, direct the nozzle away from them. When performing an operation in corner, start from the corner and then move to wide area.

MAINTENANCE

⚠ CAUTION:

- Always be sure that the tool is switched off and the battery cartridge is removed before attempting to perform inspection or maintenance.
- Never use gasoline, benzene, thinner, alcohol or the like. Discoloration, deformation or cracks may result.

Cleaning



From time to time, wipe off the outside of the tool using a cloth dampened in soapy water.

To maintain product SAFETY and RELIABILITY, repairs, any other maintenance or adjustment should be performed by Makita Authorized or Factory Service Centers, always using Makita replacement parts.

OPTIONAL ACCESSORIES

⚠ CAUTION:

- These accessories or attachments are recommended for use with your Makita tool specified in this manual. The use of any other accessories or attachments might present a risk of injury to persons. Only use accessory or attachment for its stated purpose.

If you need any assistance for more details regarding these accessories, ask your local Makita Service Center.

- Makita genuine battery and charger
- Shoulder belt
- Extension nozzle
- Flat nozzle

NOTE:

- Some items in the list may be included in the tool package as standard accessories. They may differ from country to country.

MAKITA LIMITED WARRANTY

Please refer to the annexed warranty sheet for the most current warranty terms applicable to this product. If annexed warranty sheet is not available, refer to the warranty details set forth at below website for your respective country.

United States of America: www.makitatools.com

Canada: www.makita.ca

Other countries: www.makita.com

SPÉCIFICATIONS

Modèle		DUB362	
Capacités	Volume d'air (max.)	13,4 m ³ /min (473 pi cu./min)	
	Vitesse de l'air	54 m/s (120 mi/h)	
Longueur totale	(sans l'embout allongé)	585 mm (23")	
	(avec l'embout allongé)	830, 880, 930 mm (32-3/4", 34-3/4", 36-5/8")	
Tension nominale		C.C. 36 V	
Batterie(s) standard		BL 1815N/ BL 1820/ BL 1820B	BL 1830/ BL 1830B/ BL 1840/ BL 1840B/ BL 1850/ BL 1850B/ BL 1860B
⚠ Avertissement : Utilisez seulement la/les batterie(s) décrite(s).			
Poids net		3,5 kg (7,7 lbs)	4,1 kg (9,0 lbs)

- Étant donné l'évolution constante de notre programme de recherche et de développement, les spécifications contenues dans ce manuel sont sujettes à modification sans préavis.
- Les caractéristiques techniques et la batterie peuvent varier suivant les pays.
- Poids, batterie comprise, conforme à la procédure EPTA de 01/2003

CONSIGNES DE SÉCURITÉ IMPORTANTES

Lors de l'utilisation d'un appareil électrique, vous devez toujours prendre des précautions de base, notamment :

LISEZ TOUTES LES INSTRUCTIONS.

AVANT D'UTILISER CET APPAREIL

AVERTISSEMENT - Pour réduire les risques d'incendie, de choc électrique ou de blessure :

1. Ne laissez pas l'appareil lorsque la batterie y est insérée. Retirez la batterie de l'appareil lorsqu'il n'est pas utilisé et avant de le faire réparer.
2. Ne l'exposez pas à la pluie. Rangez-le à l'intérieur.
3. Ne laissez pas les enfants l'utiliser comme jouet. Une attention particulière est nécessaire lors de l'utilisation par les enfants ou à proximité des enfants.
4. Utilisez l'outil uniquement de la façon décrite dans le présent manuel. Utilisez uniquement les accessoires recommandés par le fabricant.
5. Ne l'utilisez pas avec une batterie endommagée. Si l'outil ne fonctionne pas normalement, s'il a été échappé, endommagé, laissé dehors ou échappé dans l'eau, retournez-le à un centre de service après-vente.
6. Ne mettez rien dans les ouvertures. N'utilisez jamais l'outil si une des ouvertures est bouchée; gardez ces dernières exemptes de poussières, charpies, cheveux ou tout objet pouvant réduire la circulation de l'air.
7. Gardez les cheveux, les vêtements amples, les doigts et toute autre partie du corps à l'écart des ouvertures et des pièces en mouvement.
8. Soyez tout particulièrement prudent lorsque vous nettoyez sur les marches d'un escalier.
9. Utilisez uniquement le chargeur fourni par le fabricant pour recharger la batterie.

CONSERVEZ CE MODE D'EMPLOI.

Cet outil est conçu pour un usage commercial.

CONSIGNES DE SÉCURITÉ POUR LE SOUFFLEUR

1. Portez toujours des lunettes de protection, un casque et un masque antipoussières lorsque vous utilisez le souffleur. Les lunettes ordinaires et les lunettes de soleil ne constituent PAS des lunettes de sécurité.
2. Portez toujours des chaussures robustes et antidérapantes lorsque vous utilisez la machine, ainsi que des pantalons longs.
3. Évitez de porter des vêtements amples ou des bijoux qui pourraient être aspirés dans l'entrée d'air. Tenez les cheveux longs à l'écart de l'entrée d'air.
4. Ne pointez jamais l'embout en direction de qui que ce soit à proximité lorsque vous utilisez le souffleur.
5. N'obstruez jamais l'entrée d'aspiration et/ou la sortie d'air du souffleur.
 - N'obstruez pas l'entrée d'aspiration ou la sortie d'air du souffleur pour nettoyer dans une zone poussiéreuse.
 - N'utilisez pas le souffleur avec un embout conique plus petit que l'original, par exemple avec un nouvel embout obtenu en fixant un tuyau supplémentaire au diamètre plus petit ou encore un tuyau plus petit à l'extrémité de l'embout.
 - N'utilisez pas le souffleur pour gonfler les ballons, bateaux pneumatiques ou autres objets similaires.

L'accélération du moteur pourrait entraîner un dangereux bris du ventilateur et provoquer des blessures graves. Une surchauffe du moteur et du circuit de commande peut provoquer un incendie.
6. PRÉVENEZ TOUT DÉMARRAGE ACCIDENTEL.
Ne laissez pas le doigt sur l'interrupteur lorsque vous transportez l'outil et que la batterie est installée.



- Certains matériaux contiennent des produits chimiques qui peuvent être toxiques. Prenez les précautions nécessaires pour éviter l'inhalation de ces poussières ou leur contact avec la peau. Conformez-vous aux consignes de sécurité du fournisseur du matériau.
- Assurez-vous que personne ne se trouve à proximité si vous travaillez dans une position surélevée.
- Ne la rechargez qu'avec le chargeur spécifié par le fabricant. Un chargeur conçu pour un certain type de batterie risque de déclencher un incendie s'il est utilisé avec une autre batterie.
- N'utilisez les outils électriques qu'avec leurs batteries spécifiques. Les autres batteries risqueraient de vous blesser ou de provoquer un incendie.
- Lorsque la batterie n'est pas utilisée, tenez-la à distance des objets métalliques tels que trombones, pièces de monnaie, clés, clous, vis ou autres petits objets métalliques, conducteurs potentiels entre une borne et une autre. Un court-circuit entre les bornes de la batterie peut provoquer des brûlures ou un incendie.
- Dans des conditions d'utilisation inadéquates de la batterie, il peut y avoir fuite d'électrolyte. En cas de contact accidentel, rincez avec beaucoup d'eau. Si du liquide entre en contact avec les yeux, consultez un médecin. Le liquide qui gicle de la batterie peut provoquer des irritations ou des brûlures.
- Ne manipulez pas le chargeur, y compris la fiche du chargeur ou les bornes, si vos mains sont mouillées.
- Ne rechargez pas la batterie à l'extérieur.

CONSERVEZ CE MODE D'EMPLOI.

⚠ MISE EN GARDE : NE VOUS LAISSEZ PAS tromper (au fil d'une utilisation répétée) par un sentiment d'aisance ou de familiarité avec le produit en négligeant les consignes de sécurité qui accompagnent le produit. L'utilisation non sécuritaire ou incorrecte de cet outil comporte un risque de blessure grave.

Symboles

Les symboles utilisés pour l'outil sont indiqués ci-dessous.

	voits
	courant continu

CONSIGNES DE SÉCURITÉ IMPORTANTES

POUR LA BATTERIE

- Avant d'utiliser la batterie, lisez toutes les instructions et précautions relatives (1) au chargeur de batterie, (2) à la batterie, et (3) à l'outil utilisant la batterie.

- Ne démontez pas la batterie.
- Cessez immédiatement l'utilisation si le temps de fonctionnement devient excessivement court. Il y a risque de surchauffe, de brûlures, voire d'explosion.
- Si l'électrolyte pénètre dans vos yeux, rincez-les à l'eau claire et consultez immédiatement un médecin. Il y a risque de perte de la vue.
- Ne court-circuitez pas la batterie :
 - Ne touchez les bornes avec aucun matériau conducteur.
 - Évitez de ranger la batterie dans un conteneur avec d'autres objets métalliques, par exemple des clous, des pièces de monnaie, etc.
 - Évitez d'exposer la batterie à l'eau ou à la pluie.

Un court-circuit de la batterie pourrait provoquer un fort courant, une surchauffe, parfois des brûlures et même une panne.
- Ne rangez pas l'outil ou la batterie dans des endroits où la température risque d'atteindre ou de dépasser 50°C (122°F).
- Ne jetez pas la batterie au feu même si elle est sérieusement endommagée ou complètement épuisée. La batterie peut exploser au contact du feu.
- Prenez garde d'échapper ou de heurter la batterie.
- N'utilisez pas une batterie si elle est endommagée.
- Suivez la réglementation locale concernant la mise au rebut de la batterie.

CONSERVEZ CE MODE D'EMPLOI.

⚠ ATTENTION : Utilisez uniquement des batteries Makita d'origine.

L'utilisation de batteries autres que les batteries d'origine Makita ou de batteries qui ont été modifiées peut entraîner l'explosion de la batterie et provoquer des incendies, blessures et autres dommages. Cela annulerait également la garantie de Makita s'appliquant à l'outil Makita et au chargeur.

Conseils pour obtenir la durée de service maximale de la batterie

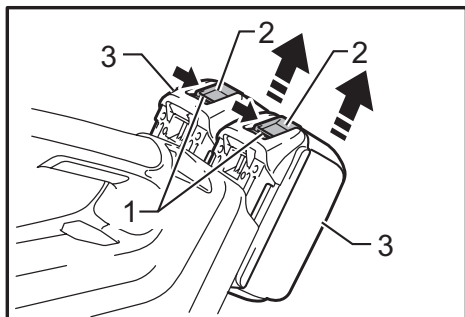
- Rechargez la batterie avant qu'elle ne soit complètement déchargée.
Arrêtez toujours l'outil et rechargez la batterie quand vous remarquez que la puissance de l'outil diminue.
- Ne rechargez jamais une batterie complètement chargée.
La surcharge réduit la durée de service de la batterie.
- Rechargez la batterie à une température ambiante comprise entre 10°C et 40°C (50°F - 104°F). Si la batterie est chaude, laissez-la refroidir avant de la recharger.
- Rechargez la batterie si vous ne l'utilisez pas pendant une période prolongée (plus de six mois).

DESCRIPTION DU FONCTIONNEMENT

⚠ ATTENTION :

- Assurez-vous toujours que l'outil est hors tension et que sa batterie est retirée avant de l'ajuster ou de vérifier son fonctionnement.

Installation ou retrait de la batterie



► 1. Indicateur rouge 2. Bouton 3. Batterie

⚠ ATTENTION :

- Mettez toujours l'appareil hors tension avant d'installer ou de retirer la batterie.
- **Tenez fermement l'outil et la batterie lors de l'installation ou du retrait de cette dernière.** Sinon, l'outil et la batterie pourraient vous glisser des mains, ce qui risque d'endommager l'outil et la batterie, ou encore de provoquer des blessures.

Pour retirer la batterie, faites-la glisser de l'outil tout en faisant glisser le bouton se trouvant à l'avant. Pour installer la batterie, alignez sa languette sur la rainure pratiquée dans le boîtier, et glissez la batterie en place. Insérez-la à fond jusqu'à ce que vous entendiez un clic. Si vous pouvez voir l'indicateur rouge situé sur le dessus du bouton, la batterie n'est pas complètement verrouillée.

⚠ ATTENTION :

- Installez toujours la batterie à fond jusqu'à ce que vous ne puissiez plus voir l'indicateur rouge. Dans le cas contraire, elle pourrait tomber de l'outil et entraîner des blessures.
- Ne forcez pas sur la batterie pour l'installer. Si la batterie ne glisse pas facilement, c'est qu'elle n'est pas insérée correctement.

NOTE :

- L'outil ne fonctionne pas lorsqu'une seule batterie est en place.

Système de protection de l'outil/de la batterie

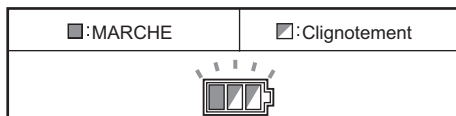
L'outil est équipé d'un système de protection de l'outil/ de la batterie. Ce système coupe automatiquement l'alimentation du moteur pour augmenter la durée de vie de l'outil et de la batterie.

L'outil s'arrête automatiquement pendant l'utilisation lorsque l'outil ou la batterie est dans l'une des situations suivantes. Dans certaines conditions, les indicateurs s'allument.

Protection contre les surcharges

Lorsque l'outil est actionné de sorte qu'il utilise un courant élevé anormal, l'outil s'arrête automatiquement sans indication. Dans cette situation, éteignez l'outil et arrêtez l'application qui a causé la surcharge de l'outil. Puis rallumez l'outil pour recommencer.

Protection contre la surchauffe de l'outil



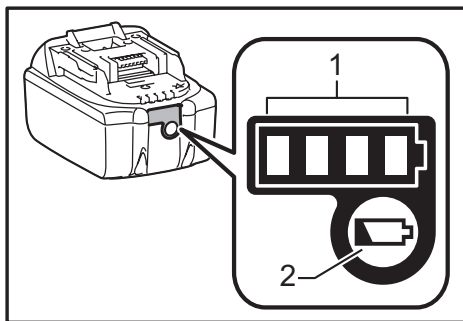
Lorsque l'outil surchauffe, il s'arrête automatiquement et l'indicateur de batterie clignote pendant environ 60 secondes. Dans cette situation, laissez refroidir l'outil avant de le mettre de nouveau en marche.

Protection contre les décharges accélérées

Lorsque la capacité de la batterie est presque épuisée, l'outil s'arrête automatiquement. Si le produit ne fonctionne pas lorsque la gâchette est actionnée, retirez les batteries de l'outil et chargez-les.

Affiche la capacité restante de la batterie

(Uniquement pour les batteries dont le numéro de modèle se termine par « B ».)



► 1. Témoins 2. Bouton CHECK

Appuyez sur le bouton de vérification sur la batterie pour afficher la capacité résiduelle de la batterie. Les témoins s'allument pendant quelques secondes.

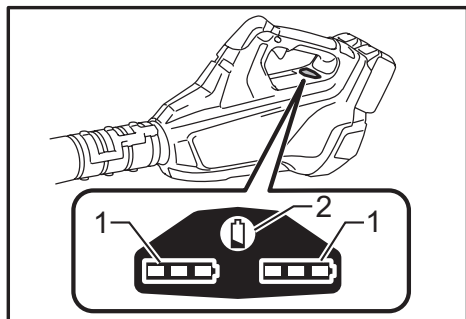
Témoins			Capacité résiduelle
Allumé	ARRÊT	Clignotement	
■	■	■	75 % à 100 %
■	■	□	50 % à 75 %
■	□	□	25 % à 50 %
■	□	□	0 % à 25 %
▬	□	□	Chargez la batterie.
■	■	□	La batterie peut avoir présenté un défaut de fonctionnement.
□	□	■	

NOTE :

- Selon les conditions d'utilisation et la température ambiante, il est possible que la capacité relevée soit légèrement différente par rapport à la capacité réelle.

Indication de la puissance résiduelle de la batterie

(Varie selon le pays)



► 1. Indicateur de batterie 2. Bouton CHECK

Appuyez sur le bouton de vérification pour que les indicateurs de batterie indiquent la capacité résiduelle de la batterie. Les indicateurs de batterie correspondent à chaque batterie.

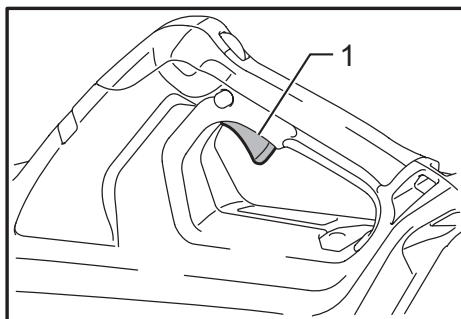
Indication de la puissance résiduelle de la batterie

État de l'indicateur de batterie	Puissance restante de la batterie
■: MARCHÉ □: ARRÊT ▬: Clignotement	
	50 % à 100 %
	20 % à 50 %
	0 % à 20 %
	Chargez la batterie

Interrupteur

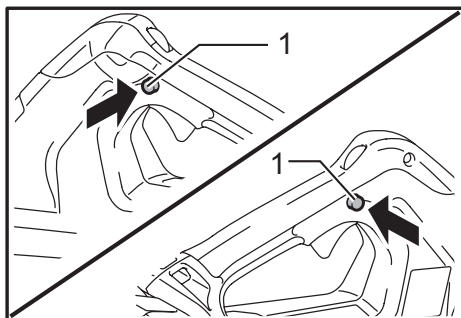
ATTENTION :

- Avant d'insérer la batterie dans l'outil, vérifiez toujours que la gâchette fonctionne bien et revient en position d'arrêt lorsque relâchée.



► 1. Gâchette

Pour mettre l'outil en marche, appuyez simplement sur la gâchette. La vitesse de l'outil augmente à mesure que l'on accroît la pression exercée sur la gâchette. Pour l'arrêter, relâchez la gâchette.

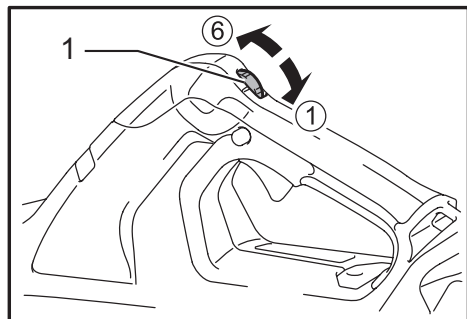


► 1. Bouton de verrouillage

Pour un fonctionnement en continu, appuyez sur la gâchette, enfoncez le bouton de verrouillage et relâchez la gâchette.

Pour arrêter l'outil à partir de la position verrouillée, pressez la gâchette à fond, puis relâchez-la.

Changement de vitesse



► 1. Cadran de réglage

Le volume d'air maximal peut être ajusté à l'aide du cadran de réglage. Il est possible de le faire pendant que l'outil est en marche. Le cadran présente les valeurs 1 (plus bas) à 6 (plus élevé).

AVIS :

Le cadran de réglage de la vitesse ne peut pas dépasser le 6 et le 1. Ne le forcez pas à dépasser le 6 ou le 1, sinon la fonction de réglage de la vitesse risque de ne plus fonctionner.

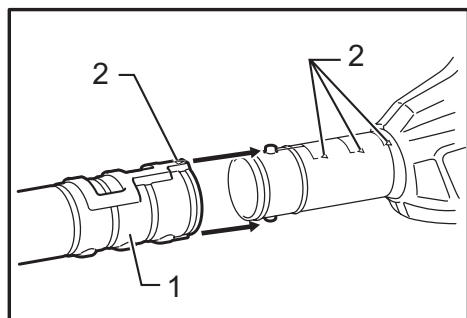
Si vous travaillez dans des conditions de température élevée, l'outil pourrait s'arrêter sous l'effet du système de protection contre la surchauffe. Si cela se produit, laissez l'outil refroidir. Évitez de régler la vitesse à 6 (plus élevé) si la température de travail est élevée.

ASSEMBLAGE

⚠ ATTENTION :

- Assurez-vous toujours que l'outil est hors tension et que sa batterie est retirée avant d'effectuer tout travail dessus.

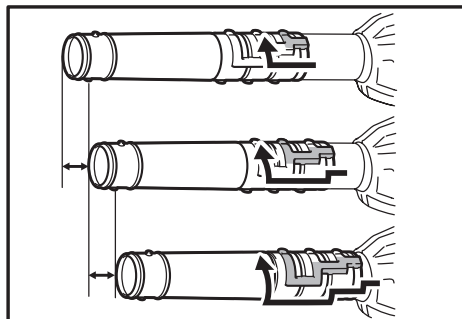
Installation de l'embout allongé



► 1. Embout allongé 2. Triangle

Pour installer l'embout allongé :

1. Alignez la petite saillie sur le boîtier avec la rainure de l'embout allongé.
2. Faites glisser l'embout allongé et tournez-le dans le sens des aiguilles d'une montre jusqu'à ce que les triangles sur l'embout allongé et sur le boîtier se rencontrent.

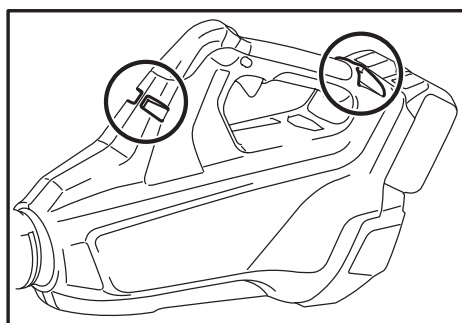


Il est possible de régler la longueur de l'embout en modifiant la position de verrouillage.

Installation de la rallonge d'embout / l'embout plat (accessoire en option)

Il est possible d'installer la rallonge d'embout / l'embout plat à l'extrémité de l'embout allongé comme décrit ci-dessus.

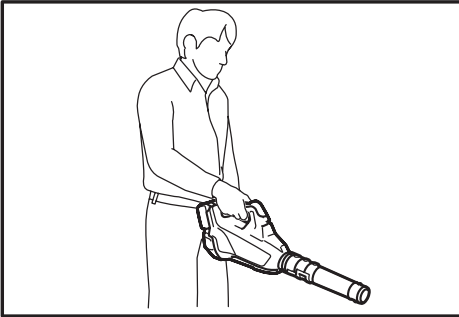
Installation de la bandoulière (accessoire en option)



Fixez la bandoulière sur l'étrier de fixation de l'outil. Avant de l'utiliser, réglez la longueur de la bandoulière pour vous permettre de travailler dans une position confortable.

UTILISATION

Soufflage



⚠ ATTENTION :

- Ne déposez pas le souffleur sur le sol tandis qu'il est en marche. Du sable ou de la poussière pourrait pénétrer dans l'entrée d'aspiration, ce qui risque de provoquer des blessures.

Tenez le souffleur fermement d'une main et procédez à l'opération de soufflage en le déplaçant lentement.

Lors du soufflage autour d'un édifice, d'une grande pierre ou d'un véhicule, ne dirigez pas l'embout dans leur direction.

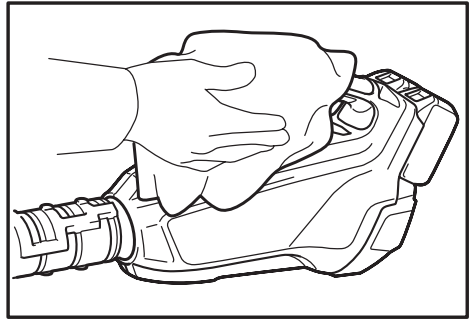
Lorsque vous travaillez dans un coin, commencez par le coin puis passez à la zone plus ouverte.

ENTRETIEN

⚠ ATTENTION :

- Assurez-vous toujours que l'outil est hors tension et que la batterie est retirée avant d'y effectuer tout travail d'inspection ou d'entretien.
- N'utilisez jamais d'essence, de benzine, de solvant, d'alcool ou d'autres produits similaires. Une décoloration, une déformation, ou la formation de fissures peuvent en découler.

Nettoyage



Essuyez régulièrement l'extérieur du souffleur avec un chiffon imprégné d'eau savonneuse.

Pour maintenir la SÉCURITÉ et la FIABILITÉ du produit, les réparations, tout autre travail d'entretien ou de réglage doivent être effectués dans un centre de service Makita agréé ou un centre de service de l'usine Makita, exclusivement avec des pièces de rechange Makita.

ACCESSOIRES EN OPTION

⚠ ATTENTION :

- Ces accessoires ou pièces complémentaires sont recommandés pour l'utilisation avec l'outil Makita spécifié dans ce mode d'emploi. L'utilisation de tout autre accessoire ou pièce complémentaire peut comporter un risque de blessure. N'utilisez les accessoires ou pièces qu'aux fins auxquelles ils ont été conçus.

Si vous désirez obtenir plus de détails concernant ces accessoires, veuillez contacter le centre de service après-vente Makita le plus près.

- Chargeur et batterie authentiques Makita
- Baudrier
- Rallonge d'embout
- Embout plat

NOTE :

- Certains éléments de la liste peuvent être inclus avec l'outil comme accessoires standard. Ils peuvent varier suivant les pays.

GARANTIE LIMITÉE MAKITA

Pour les conditions de garantie en vigueur qui s'appliquent à ce produit, veuillez vous reporter à la feuille de garantie en annexe. Si la feuille de garantie en annexe n'est pas disponible, reportez-vous aux détails de la garantie présentés sur le site Web de votre pays, ci-dessous.

États-Unis d'Amérique: www.makitatools.com

Canada: www.makita.ca

Autres pays: www.makita.com

ESPECIFICACIONES

Modelo		DUB362	
Capacidades	Volumen de aire (máx.)	13,4 m ³ /min (473 ft. ³ /min)	
	Velocidad del aire	54 m/s (120 MPH)	
Longitud total	(sin la boquilla grande)	585 mm (23")	
	(con la boquilla grande)	830, 880, 930 mm (32-3/4", 34-3/4", 36-5/8")	
Tensión nominal		36 V c.c.	
Cartucho(s) de batería estándar ⚠ Advertencia: Use solamente la(s) batería(s) indicada(s).		BL1815N/ BL1820/ BL1820B	BL1830/ BL1830B/ BL1840/ BL1840B/ BL1850/ BL1850B/ BL1860B
Peso neto		3,5 kg (7,7 lbs)	4,1 kg (9,0 lbs)

- Debido a nuestro programa continuo de investigación y desarrollo, las especificaciones aquí dadas están sujetas a cambios sin previo aviso.
- Las especificaciones y el cartucho de la batería pueden variar de país a país.
- Peso de acuerdo al procedimiento de EPTA-01/2003 incluyendo el cartucho de la batería

INSTRUCCIONES IMPORTANTES DE SEGURIDAD

Al usar cualquier aparato eléctrico, siempre deben seguirse las precauciones básicas, incluyendo las siguientes:

LEA TODAS LAS INSTRUCCIONES.

ANTES DE USAR ESTE APARATO

ADVERTENCIA - Para reducir el riesgo de incendio, descarga eléctrica o lesión:

1. No deje el aparato con la batería puesta. Retire la batería del aparato cuando no lo use y antes de hacer algún mantenimiento.
2. No exponga el equipo a la lluvia. Guarde en lugares cerrados.
3. No permita que sea utilizado como un juguete. Se requiere de una supervisión cuidadosa durante el uso al haber niños alrededor.
4. Use solamente como se describe en este manual. Use los aditamentos recomendados por el fabricante solamente.
5. No use con una batería dañada. Si el aparato no está funcionando como debiera, se ha dejado caer, se ha dañado, se ha dejado a la intemperie o ha caído al agua, llévelo a un centro de servicio.
6. No coloque ningún objeto sobre las hendidjas de ventilación. No use cuando cualquiera de las hendidjas esté bloqueada; mantenga libre de polvo, hilachas, cabello y cualquier otra cosa que pudiera reducir el flujo de aire.
7. Mantenga el cabello suelto, la ropa holgada, las uñas y todas las partes del cuerpo alejadas de las hendidjas y las partes móviles.
8. Tenga precaución adicional al aspirar estando sobre una escalera.
9. Use solo el cargador que se proporciona por el fabricante para recargar.

GUARDE ESTAS INSTRUCCIONES.

Este aparato está diseñado para uso comercial.

ADVERTENCIAS DE SEGURIDAD PARA LA SOPLADORA

1. Siempre use gafas protectoras, gorra y máscara al usar la sopladora. Los anteojos comunes o gafas oscuras NO son gafas de seguridad.
2. Mientras opera el equipo, use siempre calzado resistente con suela antiderrapante y pantalón de trabajo.
3. No use ropa holgada ni joyería que pudiera succionarse en la rendija de acceso de aire. Mantenga el cabello largo alejado de las rendijas de acceso de aire.
4. Nunca apunte la boquilla en dirección de alguna persona al estar de cerca durante el uso de la sopladora.
5. Nunca obstruya el acceso de succión ni la boquilla de la sopladora.
 - No obstruya la entrada de succión ni la salida de la sopladora al limpiar en áreas empolvadas.
 - No use la sopladora con una boquilla cónica menor que el tamaño de la original, tal como la boquilla nueva que se obtiene al fijar una manguera adicional de diámetro reducido o una manguera de diámetro menor en el extremo superior de la boquilla.
 - No use la sopladora para inflar pelotas, lanchas inflables ni objetos similares.

El aumento de las revoluciones en el motor puede que cause una rotura peligrosa del ventilador resultando en lesiones graves a la persona. El sobrecalentamiento del motor y del circuito de control puede que genere un incendio.
6. EVITE EL ENCENDIDO ACCIDENTAL. No cargue la herramienta con el dedo en el interruptor al estar la batería puesta.
7. Algunos materiales contienen sustancias químicas que pueden ser tóxicas. Tome precauciones para evitar la inhalación de polvo o el contacto del mismo con la piel. Observe la información de

- seguridad sobre los materiales del distribuidor.
8. Asegúrese que no haya nadie a su alrededor al momento de trabajar en lugares elevados.
 9. Recargue sólo con el cargador especificado por el fabricante. Un cargador que sea adecuado para un tipo específico de cartucho de batería puede generar un riesgo de incendio al usarse con un cartucho de batería distinto.
 10. Use las herramientas a batería sólo con sus cartuchos de batería designados. El uso de cualquier otro cartucho de batería puede generar riesgo de lesión e incendio.
 11. Cuando no se esté usando el cartucho de batería, manténgalo alejado de otros objetos metálicos, como sujetapapeles (clips), monedas, llaves, clavos, tornillos u otros objetos pequeños de metal los cuales pueden actuar creando un circuito entre las terminales de la batería. Cerrar el circuito con las terminales de la batería puede causar quemaduras o incendios.
 12. Puede que en condiciones abusivas haya fuga del líquido de la batería; evite tocarlo. Si lo toca accidentalmente, enjuague con agua. Si hay contacto del líquido con los ojos, acuda por atención médica. Puede que el líquido expulsado de la batería cause irritación o quemaduras.
 13. No manipule el cargador, incluida la toma de corriente del cargador, y los terminales del cargador con las manos húmedas.
 14. No cargue la batería en la intemperie.

GUARDE ESTAS INSTRUCCIONES.

⚠ADVERTENCIA: NO DEJE que la comodidad o familiaridad con el producto (a base de utilizarlo repetidamente) sustituya la estricta observancia de las normas de seguridad para dicho producto. El MAL USO o el no seguir las normas de seguridad establecidas en este manual de instrucciones puede ocasionar graves lesiones personales.

Símbolos

A continuación se muestran los símbolos utilizados para la herramienta.

V	volts o voltios
— — —	corriente directa o continua

INSTRUCCIONES IMPORTANTES DE SEGURIDAD

PARA CARTUCHO DE BATERÍA

1. Antes de utilizar el cartucho de batería, lea todas las instrucciones e indicaciones de precaución sobre (1) el cargador de baterías, (2) la batería, y (3) el producto con el que se utiliza la batería.

2. No desarme el cartucho de batería.
3. Si el tiempo de operación se ha acortado en exceso, deje de operar de inmediato. Podría correrse el riesgo de sobrecalentamiento, posibles quemaduras e incluso explosión.
4. En caso de que ingresen electrolitos en sus ojos, enjuáguelos bien con agua limpia y consulte de inmediato a un médico. Podría perder la visión.
5. No cortocircuite el cartucho de batería:
 - (1) No toque las terminales con ningún material conductor.
 - (2) Evite guardar el cartucho de batería en un cajón junto con otros objetos metálicos, tales como clavos, monedas, etc.
 - (3) No exponga la batería de cartucho a la lluvia o nieve.

Un corto circuito en la batería puede causar un flujo grande de corriente, sobrecalentamiento, posibles quemaduras y aún descomposturas.
6. No guarde la herramienta ni el cartucho de batería en lugares donde la temperatura pueda alcanzar o exceder los 50°C (122°F).
7. Nunca incinere el cartucho de batería incluso en el caso de que esté dañado seriamente o ya no sirva en absoluto. El cartucho de batería puede explotar si se tira al fuego.
8. Tenga cuidado de no dejar caer ni golpear el cartucho de batería.
9. No use una batería dañada.
10. Siga las regulaciones locales relacionadas al desecho de las baterías.

GUARDE ESTAS INSTRUCCIONES.

⚠PRECAUCIÓN: Use solo baterías auténticas de Makita.

El uso de baterías no auténticas de Makita, o baterías que hayan sido alteradas, puede que resulte en la explosión de la batería, originando un incendio, así como lesiones al usuario y daños. También anulará la garantía de Makita para la herramienta y el cargador Makita.

Consejos para alargar al máximo la vida útil de la batería

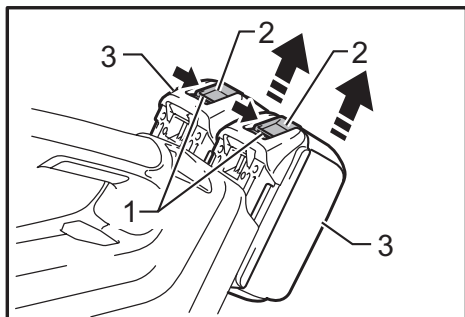
1. Cargue el cartucho de batería antes de que se descargue completamente. Pare siempre la operación y cargue el cartucho de batería cuando note menos potencia en la herramienta.
2. No cargue nunca un cartucho de batería que esté completamente cargado. La sobrecarga acortará la vida de servicio de la batería.
3. Cargue el cartucho de batería a temperatura ambiente de 10°C - 40°C (50°F - 104°F). Si un cartucho de batería está caliente, déjelo enfriar antes de cargarlo.
4. Cargue el cartucho de batería si no lo ha usado por un largo período (más de seis meses).

DESCRIPCIÓN DEL FUNCIONAMIENTO

⚠️ PRECAUCIÓN:

- Asegúrese siempre de que la herramienta esté apagada y el cartucho de batería extraído antes de realizar cualquier ajuste o comprobación en la herramienta.

Instalación o desmontaje del cartucho de batería



► 1. Indicador rojo 2. Botón 3. Cartucho de batería

⚠️ PRECAUCIÓN:

- Apague siempre la herramienta antes de colocar o quitar el cartucho de batería.
- **Sujete la herramienta y el cartucho de la batería con firmeza al colocar o quitar el cartucho.** Si no se sujeta con firmeza la herramienta y el cartucho de la batería, puede ocasionar que se resbalen de sus manos resultando en daños a la herramienta y al cartucho, así como lesiones a la persona.

Para quitar el cartucho de batería, deslícelo de la herramienta mientras desliza el botón sobre la parte delantera del cartucho.

Para colocar el cartucho de batería, alinee la lengüeta sobre el cartucho de batería con la ranura en la carcasa y deslice en su lugar. Inserte por completo hasta que se fije en su lugar con un pequeño clic. Si puede ver el indicador rojo del lado superior del botón, esto indica que no ha quedado fijo por completo.

⚠️ PRECAUCIÓN:

- Introduzca siempre completamente el cartucho de batería hasta que el indicador rojo no pueda verse. Si no, podría accidentalmente salirse de la herramienta y caer al suelo causando una lesión a usted o alguien a su alrededor.
- No instale el cartucho de batería a la fuerza: si el cartucho no se desliza al interior fácilmente, se debe a que no está siendo insertado correctamente.

NOTA:

- La herramienta no funciona con solo un cartucho de batería.

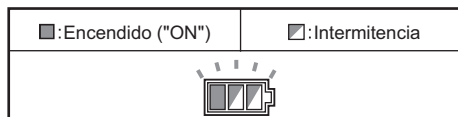
Sistema de protección de la herramienta / batería

La herramienta está equipada con un sistema de protección de la herramienta / batería. Este sistema corta en forma automática el suministro de energía al motor para prolongar la vida útil de la herramienta y batería. La herramienta se detendrá automáticamente durante el funcionamiento si la herramienta o la batería se somete a una de las siguientes condiciones. En algunas condiciones, las luces indicadoras se encienden.

Protección contra la sobrecarga

Cuando la herramienta es utilizada de tal manera que cause un consumo anormalmente alto de corriente, la herramienta automáticamente se para sin indicación alguna. En este caso, apague la herramienta y detenga la aplicación que causó que la herramienta se sobrecargara. Luego encienda la herramienta y reinicie.

Protección contra el sobrecalentamiento de la herramienta



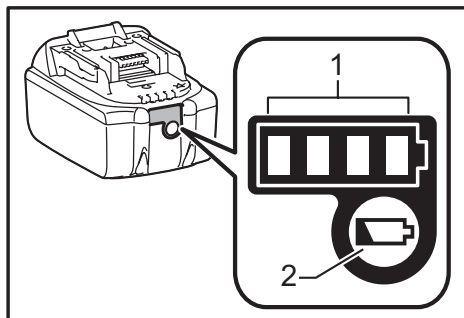
Cuando la herramienta se sobrecalienta, ésta se para automáticamente, mientras el indicador de la batería parpadea por alrededor de 60 segundos. En este caso, espere a que la herramienta se enfríe antes de volver a encender la herramienta.

Protección contra la sobredescarga

Cuando al capacidad de la batería sea reducida, la herramienta se para automáticamente. Si el equipo no opera incluso tras el accionamiento de los interruptores, retire las baterías de la herramienta y recárguelas.

Indicación de la capacidad restante de la batería

(Solo para cartuchos de batería con una "B" al final del número de modelo.)



► 1. Luces indicadoras 2. Botón de verificación "CHECK"

Presione el botón de comprobación en el cartucho de la batería para indicar la capacidad restante de la batería. La luz indicadora se enciende por algunos segundos.

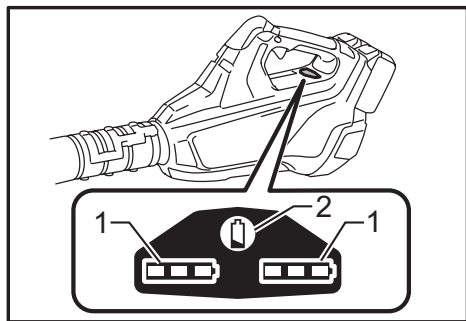
Luces indicadoras			Capacidad restante
Encendido	APAGADO	Intermitencia	
■	□	▬	75% a 100%
■	■	□	
■	■	□	
■	□	□	50% a 75%
■	□	□	25% a 50%
■	□	□	0% a 25%
▬	□	□	Recargue la batería.
■	■	□	Puede que haya un defecto en el funcionamiento de la batería.
□	□	■	

NOTA:

- Dependiendo de las condiciones de uso y de la temperatura ambiental, puede que el nivel indicado difiera ligeramente de la capacidad real de la batería.

Indicador de la capacidad restante de la batería

(Específico del país)



- 1. Indicador de batería 2. Botón de verificación "CHECK"

Presione el botón de revisión para que los indicadores de la batería muestren la capacidad restante de las baterías. Los indicadores de la batería corresponden a cada batería.

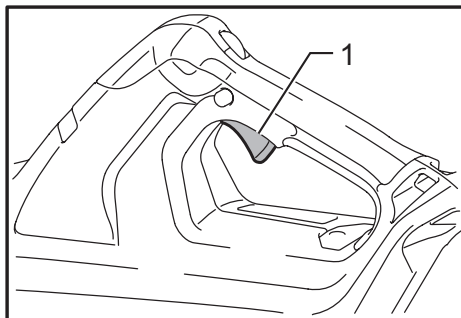
Indicador de la capacidad restante de la batería

Estado indicador de la batería	Capacidad restante de la batería
Encendido ("ON") : APAGADO : Intermitencia	
	50% - 100%
	20% - 50%
	0% - 20%
	Recargue la batería

Accionamiento del interruptor

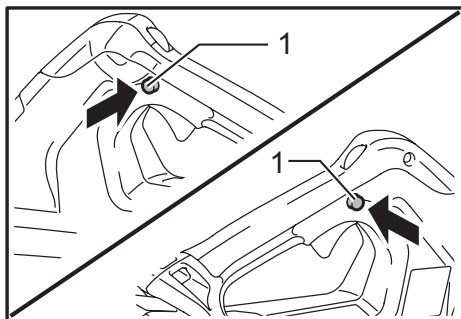
PRECAUCIÓN:

- Antes de insertar el cartucho de batería en la herramienta, compruebe siempre y cerciórese de que el gatillo interruptor se acciona debidamente y que vuelve a la posición "OFF" (apagado) cuando lo suelta.



- 1. Gatillo interruptor

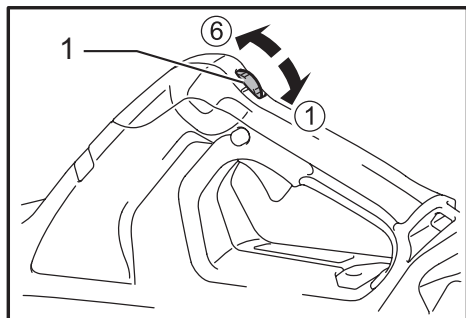
Para poner en marcha la herramienta, simplemente apriete el gatillo interruptor. La velocidad de la herramienta aumenta incrementando la presión en el gatillo. Suelte el gatillo interruptor para parar.



- 1. Botón de bloqueo

Para una operación continua, jale el gatillo interruptor, presione el botón de bloqueo y luego libere el gatillo interruptor. Para desbloquear la herramienta, jale el gatillo interruptor por completo y luego suéltelo.

Cambio de velocidad



► 1. Control de ajuste de velocidad

El volumen de aire máximo puede ajustarse con tan solo girar el control de ajuste. Esto puede hacerse aun cuando la herramienta esté activa. El control tiene está marcado de 1 (menor velocidad) a 6 (mayor velocidad).

AVISO:

El control de ajuste de velocidad sólo se puede subir hasta 6 y bajar hasta 1. No lo fuerce más allá de estas marcas o de lo contrario la función de ajuste de velocidad podría arruinarse.

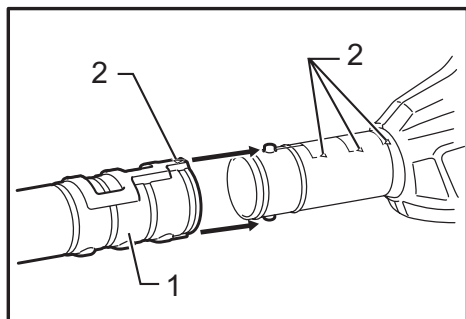
Al estar trabajando bajo circunstancias de altas temperaturas, puede que la herramienta se pare debido al sistema de protección de sobrecalentamiento. En tal caso, permita que la herramienta se enfríe. Evite ajustar la velocidad a 6 (velocidad mayor) en circunstancias de altas temperaturas.

ENSAMBLE

⚠PRECAUCIÓN:

- Asegúrese siempre de que la herramienta esté apagada y el cartucho de batería extraído antes de realizar cualquier trabajo en la misma.

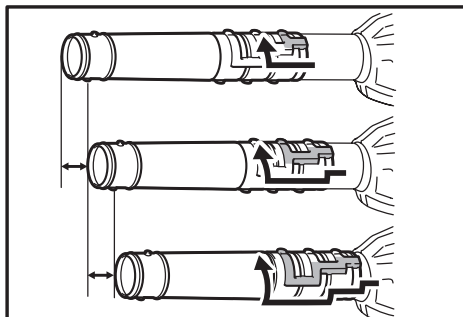
Instalación de la boquilla larga



► 1. Boquilla larga 2. Marca triangular

Instalación de la boquilla larga:

1. Alinee la protuberancia pequeña en la carcasa con la ranura de la boquilla larga.
2. Introduzca deslizando la boquilla larga y gire en sentido de las agujas del reloj hasta que las marcas triangulares en la boquilla larga y la carcasa coincidan entre sí.

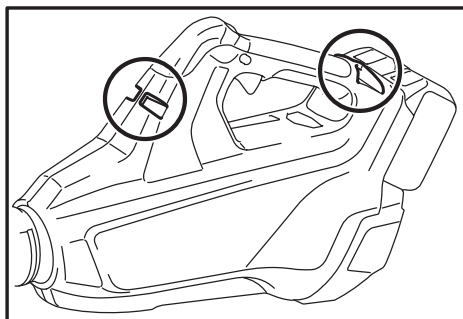


La longitud de la boquilla puede ajustarse al cambiar la posición de fijación.

Instalación de la boquilla de extensión / boquilla plana (accesorio opcional)

La boquilla de extensión / boquilla plana puede instalarse sobre la punta de la boquilla larga de la misma manera como se menciona anteriormente.

Instalación de la correa para hombro (accesorio opcional)

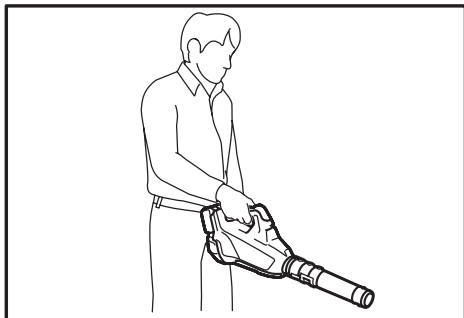


Enganche la correa para hombro en el colgador de la herramienta.

Antes de usar, ajuste la longitud de la correa de tal forma que resulte fácil la operación con ésta.

OPERACIÓN

Soplado



⚠️ PRECAUCIÓN:

- No coloque la sopladora sobre el suelo mientras se encuentre encendida. Puede que la arena o el polvo se introduzcan por la rejilla de succión, pudiendo resultar en lesiones al usuario.

Sujete la sopladora con firmeza con una mano y realice la operación del soplado al moverla lentamente alrededor.

Al soplar alrededor de algún edificio, roca grande o vehículo, no apunte la boquilla directamente a estos objetos.

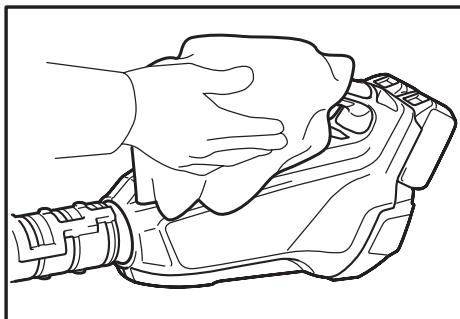
Al soplar en una esquina, comience desde el interior de la esquina desplazándose hacia afuera.

MANTENIMIENTO

⚠️ PRECAUCIÓN:

- Asegúrese siempre de que la herramienta esté apagada y el cartucho de batería extraído antes de intentar realizar una inspección o mantenimiento.
- Nunca use gasolina, bencina, diluyente (tíner), alcohol o sustancias similares. Puede que esto ocasione grietas o descoloramiento.

Limpieza



De vez en vez, limpie el exterior de la herramienta usando un paño húmedo y agua enjabonada.

Para mantener la SEGURIDAD y FIABILIDAD del producto, las reparaciones, y cualquier otra tarea de mantenimiento o ajuste deberán ser realizadas en Centros de Servicio Autorizados por Makita, empleando siempre repuestos Makita.

ACCESORIOS OPCIONALES

⚠️ PRECAUCIÓN:

- Estos accesorios o aditamentos (incluidos o no) están recomendados para utilizar con su herramienta Makita especificada en este manual. El empleo de cualesquiera otros accesorios o acoplamientos conllevará un riesgo de sufrir heridas personales. Utilice los accesorios o acoplamientos solamente para su fin establecido.

Si necesita cualquier ayuda para más detalles en relación con estos accesorios, pregunte a su centro de servicio Makita local.

- Batería y cargador originales de Makita
- Cinturón para hombro
- Boquilla de extensión
- Boquilla plana

NOTA:

- Algunos de los artículos en la lista puede que vengan junto con el paquete de la herramienta como accesorios incluidos. Puede que estos accesorios varíen de país a país.

GARANTÍA LIMITADA DE MAKITA

Ésta Garantía no aplica para México

Consulte la hoja de la garantía anexa para ver los términos más vigentes de la garantía aplicable a este producto. En caso de no disponer de esta hoja de garantía anexa, consulte los detalles sobre la garantía descritos en el sitio web de su país respectivo indicado a continuación.

Estados Unidos de América: www.makitatools.com

Canadá: www.makita.ca

Otros países: www.makita.com

< USA only >

WARNING

Some dust created by power sanding, sawing, grinding, drilling, and other construction activities contains chemicals known to the State of California to cause cancer, birth defects or other reproductive harm. Some examples of these chemicals are:

- lead from lead-based paints,
- crystalline silica from bricks and cement and other masonry products, and
- arsenic and chromium from chemically-treated lumber.

Your risk from these exposures varies, depending on how often you do this type of work. To reduce your exposure to these chemicals: work in a well ventilated area, and work with approved safety equipment, such as those dust masks that are specially designed to filter out microscopic particles.

< Sólo en los Estados Unidos >

ADVERTENCIA

Algunos polvos creados por el lijado, aserrado, esmerilado, taladrado y otras actividades de la construcción contienen sustancias químicas reconocidas por el Estado de California como causantes de cáncer, defectos de nacimiento y otros peligros de reproducción. Algunos ejemplos de estos productos químicos son:

- plomo de pinturas a base de plomo,
- sílice cristalino de ladrillos y cemento y otros productos de albañilería, y
- arsénico y cromo de maderas tratadas químicamente.

El riesgo al que se expone varía, dependiendo de la frecuencia con la que realice este tipo de trabajo. Para reducir la exposición a estos productos químicos: trabaje en un área bien ventilada y póngase el equipo de seguridad indicado, tal como las máscaras contra polvo que están especialmente diseñadas para filtrar partículas microscópicas.

Makita Corporation

3-11-8, Sumiyoshi-cho,
Anjo, Aichi 446-8502 Japan

www.makita.com

885401E936
DUB362-1
EN, FRCA, ESMX
20180314